



RoHS

### Key features

- Input wide voltage , 2: 1
- Low ripple and noise,small size
- Over load protection ,short circuit protection
- High efficiency, high density, fine quality and low price
- Industrial design
- Lower power, RoSH
- 100%test and work
- 3 Years product warranty

DM60 series ---escape light in series is to provide clients with a slim type switching power supply provided by Zhong Yi Guang. The power is 60W, high efficiency, low loss, with high reliability, small size, high power density, good anti-jamming, widely used in industrial, official and civil and other related industries.

### Electrical specifications

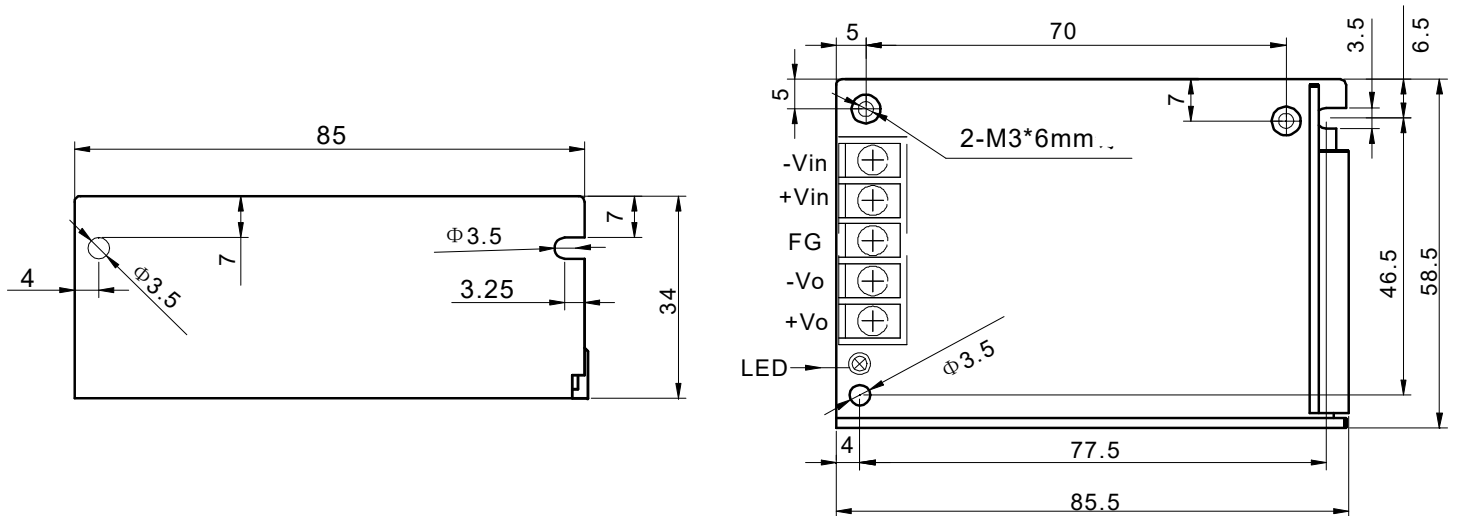
Model	Rated input voltage ( VDC )	Voltage range ( VDC )	Output power(W)	Output voltage (V)	Output current (A)	Ripple and noise (mV)	Efficiency % (TYP)
DM60-48S05	48	36-75	45	5.1	9	150	80
DM60-48S09			54	9.0	6	150	82
DM60-48S12			60	12.1	5	120	86
DM60-48S15			60	15.1	4	100	87
DM60-48S24			60	24.1	2.5	100	89
DM60-110S05	110	65-150	45	5.1	9	150	80
DM60-110S09			54	9.0	6	150	82
DM60-110S12			60	12.1	5	120	86
DM60-110S15			60	15.1	4	100	87
DM60-110S24			60	24.1	2.5	100	89
	Output mode	single					
	output accuracy	±2.0% @100%load (DM60-XXS05, Voltage accuracy is ±3%)					



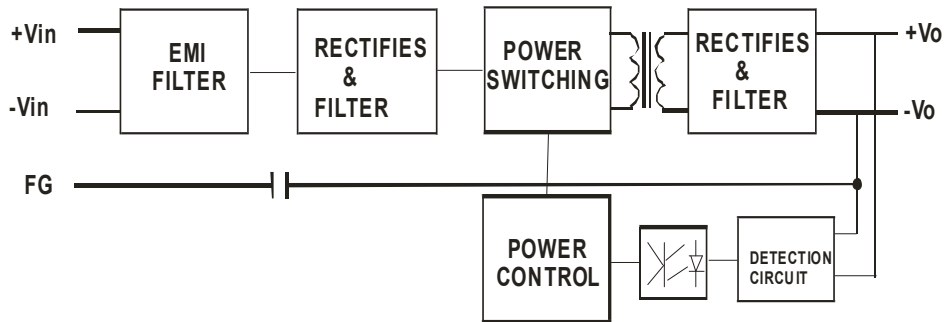
Output	Line regulation	±1.0% @100%load
	Load regulation	±1.0% @10-100%load (DM60-XXS05, The load effect is1.5%)
	Setup, rise time	30ms @100%load
	Hold-up time	20ms @100% load
Input	Input current	0.7A/110VDC
	Leakage current	< 0.5mA
Protection	Over current protection	110%--120% load, Recovers automatically after fault condition is removed
	Short circuit protection	Recovers automatically after fault condition is removed
Work environment	Operating temperature	-40 ~ +70 °C, According to the output load derating
	Storage temperature	-40 ~ +105,
	Humidity	10 ~ 85% RH
	Temperature coefficient	0.03%/ (0~ 50°C )
	Vibration	10~500Hz,2G10min./1cycle, 60min.each along X,Y,Z axes
	Cooling method	Free air convection
Safety and EMC (Note 3)	Safety standards	IEC60950,EN60950,UL60950
	Safety class	CLASS I
	I/O-isolation voltage	I/P-O/P:1000VDC I/P-FG(CASE):500VDC O/P-FG(CASE):500VDC
	Isolation resistance	I/P-O/P,I/P-FG,O/P-FG:>100M Ohms/500VDC 25°C 70% RH
	EMI / RFI conducted	EN55011, EN55022 (CISPR22) class A
	ESD	IEC/EN 61000-4-2 level 3 8kV/15kV
	RF	IEC/EN 61000-4-3 level 3
	EFT	IEC/EN 61000-4-4 level 2 1kV
	Surge	IEC/EN 61000-4-5 level 2 1kV
Others	MTBF	165K hrs min. MIL-HDBK-217F(25)
	Dimension	86*59*35mm (L*W*H)
	Weight and package	192g/According quantity to pack
Notes	1. All parameters NOT specially mentioned are measured at input, humidity <75% rated load and 25 of ambient temperature)	
	2. Ripple & noise are measured at 20MHz of bandwidth by using a 300mm twisted pair-wire terminated with a 0.1uf & 47uf parallel capacitor.	
	3. The power supply is considered a component which will be installed into a final equipment. The final equipment must be re-confirmed that it still meets EMC directives.	

## Dimension

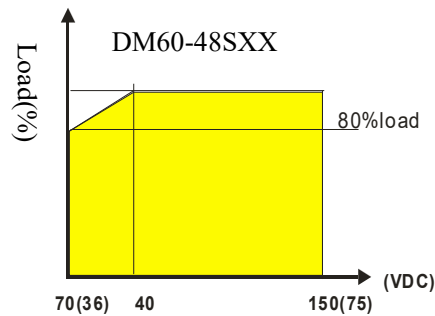
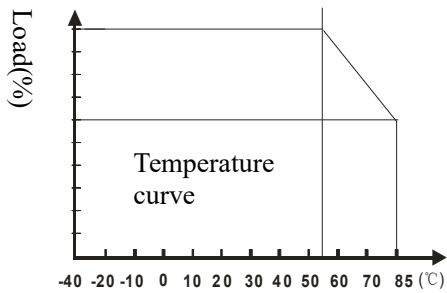
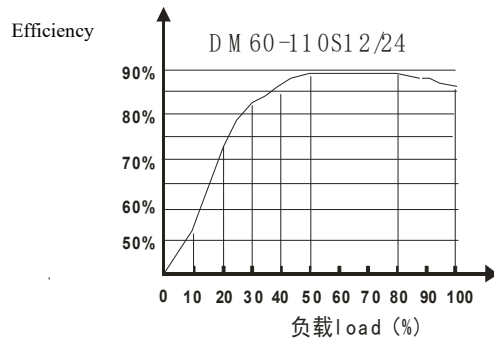
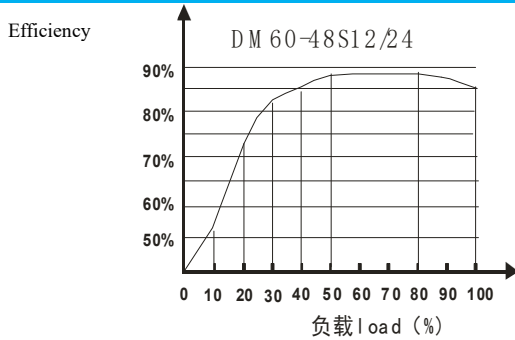
Unit: mm



## Block diagram



## Efficiency and Output derating



### Zhongyiguang Guangzhou Technology Ltd

✉ : vice@zygkj.com

☎ : +86(20) 3287 4481 / 2292 1551

📍 : NO.2, building 4, NO.8, DouTang Road, YongHe Economic Zone, GuangZhou City, P. R. China