



RoHS



Key features

- Universal input 300-450 VDC,
- Low ripple and noise
- Over load protection ,short circuit protection
- Optional of constant current mode of output
- Industrial/military design、 chassis type mounted Lower power, RoSH , no-load loss less than 0.75W
- 100% test and work
- 3 Years product warranty

DPM60 series --- a wiring module power supply offered by Zhongyiguang. The output power of this series module power supply is 60W, with extremely no-load loss (<75mW), low leakage current is less than 0.1mA small size (50.8*25.4*15.5mm) and isolation voltage up to 2.5kv,etc. The product is safe and reliable, which has a good EMC. EMC and Safety specifications meet many related standards ,such as IEC/EN61000-4, CISPR22/EN55022, UL60950/EN60950/EN60601. This series of products are widely used in industrial, office and civil industries. If applied to a relatively harsh environment electromagnetic compatibility, it must be referenced the application circuit.

Electrical specifications

Model	Input voltage	Output Power(W)	Output voltage(V)	Output current(A)	Ripple(mv)	Efficiency (%)
DPM60-300S12-EA	(350~450)VDC	60	12	0~ 5	100	85

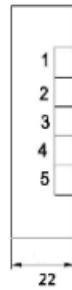
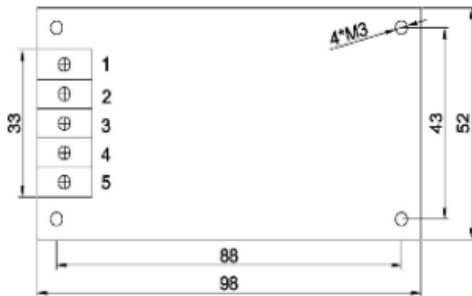
General features

Output	Output accuracy	±2.0%	
	Line regulation	±1.0%	
	Load regulation	±1.0%	
	Setup rise time(TYP)	10ms/230VAC	30ms/115VAC at full load
	Output hold-up time(TYP)	40ms/230VAC	15ms/115VAC at full load
Input	Input voltage range	90~ 264VAC	80 ~ 370VDC
	Input frequency	47 ~ 440Hz	
	Input current(TYP)	285m A / 115VAC	175m A / 230VAC
	Inrush current(TYP)	cooling boot 30 A / 115 VAC	50A / 230 VAC
	Recommended values for External Fuses	T2A / 250Vac	(disconnected slowly)
	Leakage current(TYP)	< 1mA	at 230VAC/50Hz
Protection	Over current, short circuit protection; recovers automatically after fault condition is removed.(hiccup mode)		
Working environment	Operating temperature	-40 ~ +85 °C (According to the output load derating curve to use)	
	Humidity	85% .RH max	
	Storage temperature	-40 ~ +85, 10 ~ 95% RH	
	Temperature coefficient	0.03%/ (0~ 50°C)	
	Vibration coefficient	10~500Hz,2G10min./1cycle, 60min.each along X,Y,Z axes	
Safety and EMC(Note:3)	Safety standards	accord with UL1012,EN60950,UL60950	
	I/O-isolation voltage	I/P-O/P:2.5KVAC	I/P-FG:1.5KVAC O/P-FG:0.5KVAC
	insulation resistance	I/P-O/P,I/P-FG,O/P-FG:>100M Ohms/500VDC 25°C 70% RH	



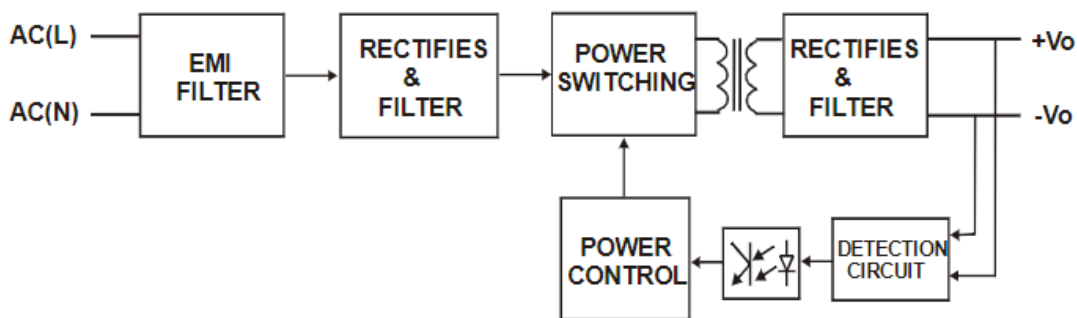
	EMI / RFI conducted	accord with EN55011, EN55022 (CISPR22)
	ESD	IEC/EN 61000-4-2 level 4 8kV/15kV
	RS	IEC/EN 61000-4-3
	EFT	IEC/EN 61000-4-4 level 4 4kV
	Surge	IEC/EN 61000-4-5 level 4 2kV
Others	MTBF	200K hrs min. MIL-HDBK-217F(25)
	Dimension	50.8*25.4*15.5mm.
Notes	1. Unless otherwise indicated of the above data, Our products are tested in the condition of TA=25oC, humidity <75%, 230Vac nominal voltage input and rated load output.	
	2. Ripple & noise are measured at 20MHz of bandwidth by using a 300mm twisted pair-wire terminated with a 0.1uf & 47uf parallel capacitor.	
	3. The power supply is considered a component which will be installed into a final equipment. The final equipment must be re-confirmed that it still meets EMC directives.	

Dimension



Pin	Function	
1	+Vin	Positive output
2	-Vin	Negative output
3	FG	Ground connection
4	+Vo	Positive output
5	-Vo	Negative output

Block diagram



Zhongyiguang Guangzhou Technology Ltd

✉ : vice@zygkj.com

☎ : +86(20) 3287 4481 / 2292 1551

📍 : NO.2, building 4, NO.8, DouTang Road, YongHe Economic Zone, GuangZhou City, P. R. China